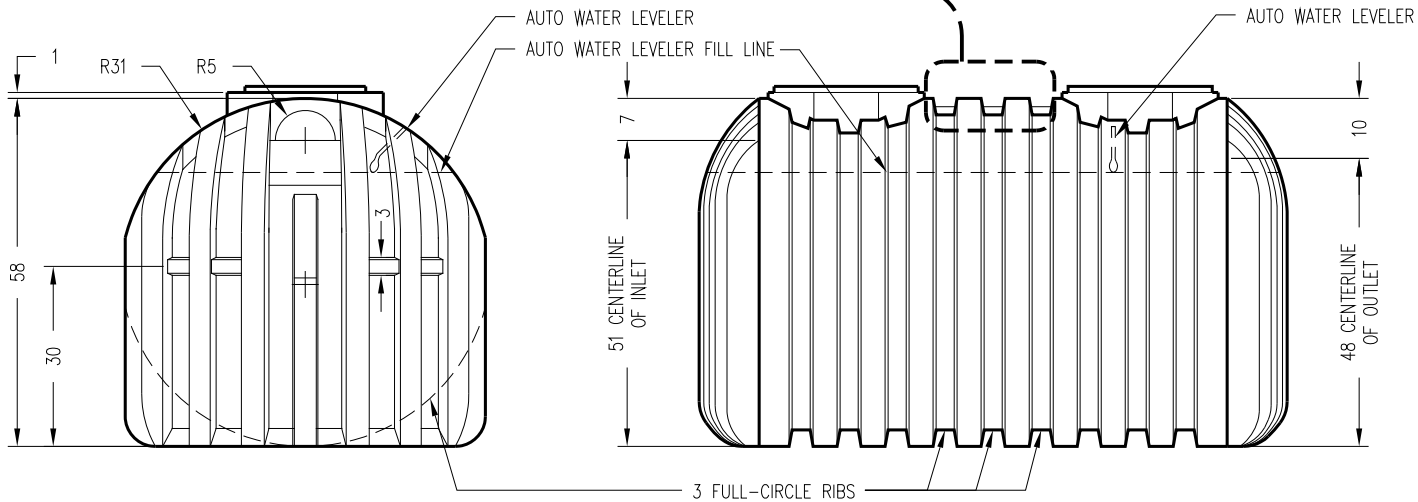
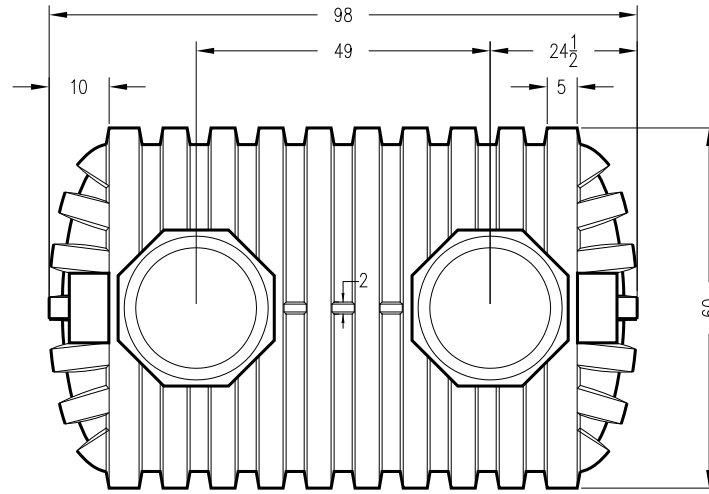


RIB DIMENSIONS  
SCALE: 3/4"=1'-0"



SCALE: 3/8"=1'-0"

JOB NUMBER	10001
SHEET	MARCH 2011
DATE	CA
DRAWN BY	BF
REVIEWED BY	

DATE	
SEAL	

# 1200 GALLON SINGLE CISTERN TANK

REV.	DATE	BY	DESCRIPTION
△			
△			
△			
△			
△			

THIS DRAWING IS AN INSTRUMENT OF SERVICE AND THE PROPERTY OF RAIN DECK. USE OF THIS DRAWING AND ALL REPRODUCTIONS SHALL BE RESTRICTED TO THE ORIGINAL SITE FOR WHICH IT WAS PREPARED AND SHALL NOT BE USED UNLESS PROPERLY SEALED AND APPROVED. PUBLICATION OF THIS DRAWING BY ANY METHOD IN WHOLE OR IN PART IS PROHIBITED WITHOUT PERMISSION OF RAIN DECK. WHERE A CONTRACTOR'S NAME APPEARS ON THIS DRAWING, WORK SHALL BE COMPLETED BY SAID CONTRACTOR EXCEPT BY AGREEMENT WITH SAME CONTRACTOR.



Ph. 888.445.RAIN  
Fax. 866.869.3942  
info@raindeck.com



## UNDERGROUND TANK INSTALLATION INSTRUCTIONS

# 1

### EXCAVATION

- A. Excavate to a depth that will provide a minimum of 6" and a maximum of 30" of cover over the top of the tank. This will avoid collapse and overexpansion of the tank and possible leakage.
- B. Allow 18" to 24" of excavation around the entire tank.
- C. The preferred tank bedding material is well packed sand with minimums of 6" in soil terrain and 12" in rock terrain. Native soil can be used if it is flowable, compactable, rock free, and can provide uniform tank support. The tank should be installed level.

# 3

### MANHOLE EXTENSIONS

- A. Your splash pad tank should already have a manhole extension installed, but if it is not pre-installed, do so before you backfill.

# 2

### TANK CONNECTIONS

- A. In most cases, Rain Deck has already installed two 1-1/2" and one 1/2" bulk head fitting into the tank. If the bulk head fittings are not already installed, they should be installed on one of the flat surfaces of the tank.
- B. The splash pad tank must be vented.
- C. For water-tight seal, lid should be sealed with silicone caulking. Re-use the stainless steel screws supplied with the lid.

# 4

### BACKFILLING

- A. CAUTION: Fill tank with water as you backfill, keeping water level even with backfill level as you go to prevent possible collapse or tank floatation.
- B. Backfill with 12" layers and compact each layer.
- C. Tamp and compact backfill under and around all pipes (suction, return, water leveler and drain).
- D. Maximum backfill over the top of the tank is 30". Mound soil over the top to provide positive drainage away from the tank lid to avoid contamination of the splash pad water.