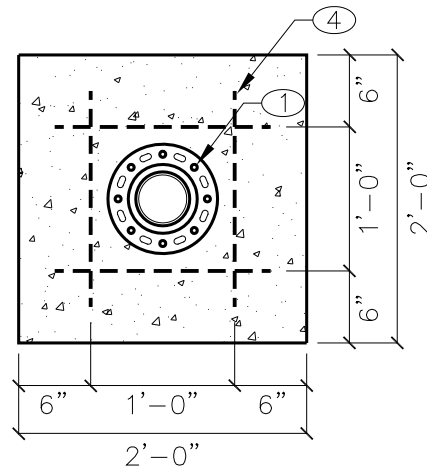


ELEVATION VIEW



TOP VIEW

- ① FOOTING FLANGE
- ② 1 1/2" FEMALE WATER INLET
- ③ PROVIDE PROPER SOIL COMPACTION AROUND FOOTING
- ④ (2) # 4 BARS EACH WAY BOTTOM ((4) TOTAL)
- ⑤ FINISHED GRADE

NOTE:
 INSTALL RAIN DECK FOOTING FLANGE AT CENTER OF FOOTING WITH THE FLANGE AT FINISHED GRADE.
FLANGE MUST BE PERFECTLY LEVEL

101 ABOVE GROUND DETACHABLE FOOTING

RAINDECK
 Ph. 888.445.RAIN
 Fax. 866.869.3942
 info@raindeck.com

THIS DRAWING IS AN INSTRUMENT OF SERVICE AND THE PROPERTY OF RAIN DECK. IT IS TO BE USED ONLY FOR THE PROJECT AND SITE SPECIFICALLY IDENTIFIED HEREIN. IT IS NOT TO BE REPRODUCED, COPIED, OR REUSED IN ANY MANNER WITHOUT THE WRITTEN PERMISSION OF RAIN DECK. WHERE A CONFLICT EXISTS BETWEEN THIS DRAWING AND ANY OTHER DRAWING, THIS DRAWING SHALL BE CONTROLLING. © 2010 RAIN DECK, INC.

REV.	DATE	BY	DESCRIPTION
△			
△			
△			
△			

DETAIL
 ABOVE GROUND
 DETACHABLE FOOTING

SEAL

DATE

DRAWN BY CA
 REVIEWED BY BF
 DATE JANUARY 2010
 SHEET S1.1
 JOB NUMBER 10001