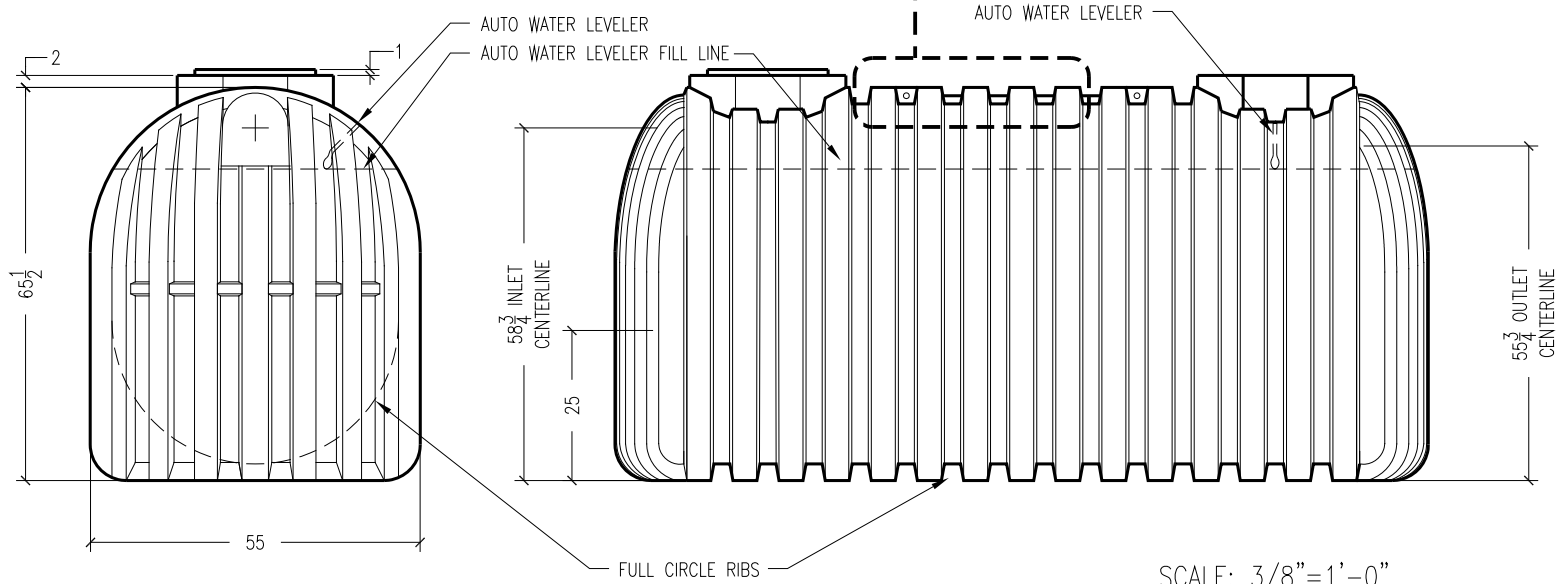
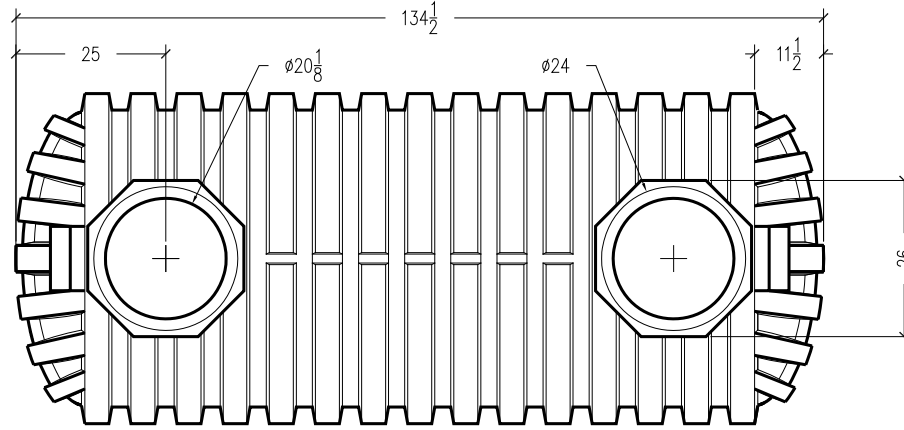


RIB DIMENSIONS  
SCALE: 3/4"=1'-0"



SCALE: 3/8"=1'-0"

JOB NUMBER 10001	SHEET	DATE	DRAWN BY	REVIEWED BY
		MARCH 2011	CA	BF

DATE	SEAL

## 1700 GALLON SINGLE CISTERN TANK

REV.	DATE	BY	DESCRIPTION
△			
△			
△			
△			
△			

THIS DRAWING IS AN INSTRUMENT OF SERVICE AND THE PROPERTY OF RAIN DECK. USE OF THIS DRAWING AND ALL REPRODUCTIONS SHALL BE RESTRICTED TO THE ORIGINAL SITE FOR WHICH IT WAS PREPARED AND SHALL NOT BE USED UNLESS PROPERLY SEALED AND APPROVED. PUBLICATION OF THIS DRAWING BY ANY METHOD IN WHOLE OR IN PART IS PROHIBITED WITHOUT PERMISSION OF RAIN DECK. WHERE A CONTRACTOR'S NAME APPEARS ON THIS DRAWING, WORK SHALL BE COMPLETED BY SAID CONTRACTOR EXCEPT BY AGREEMENT WITH SAME CONTRACTOR.



Ph. 888.445.RAIN  
Fax. 866.869.3942  
info@raindeck.com